



VT30 Programmable Controller

Feature:

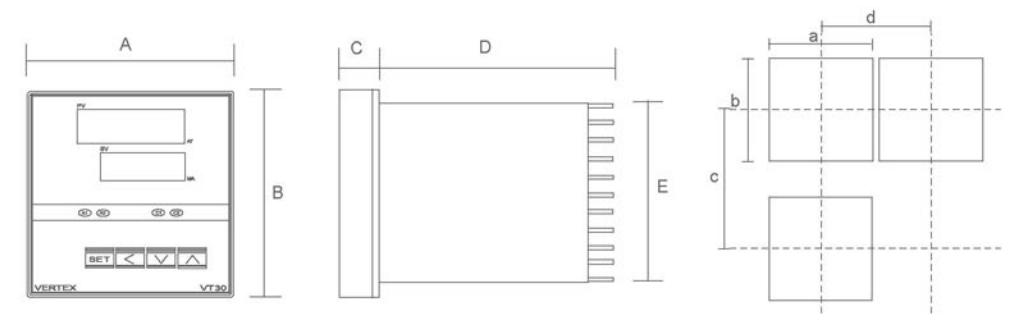
- ▶ T/C, RTD, Linear Input selection.
- ▶ Fuzzy enhanced PID Control.
- ▶ Auto / Manual Bumpless Transfer.
- ▶ Two Alarm output with 9 different alarm functions
- ▶ Two 8-segment (Ramp & Soak) profiles.
- ▶ Universal power supply : 90~264V AC,50/60Hz.
- ▶ Event Alarm.

Optional:

- ▶ Output 2 for cooling control.
- ▶ PV or SV Re transmission.
- ▶ Master & Slaver transmission.
- ▶ RS-485 communication.(MODBUS RTU)
- ▶ Power supply : DC 24V



Dimension



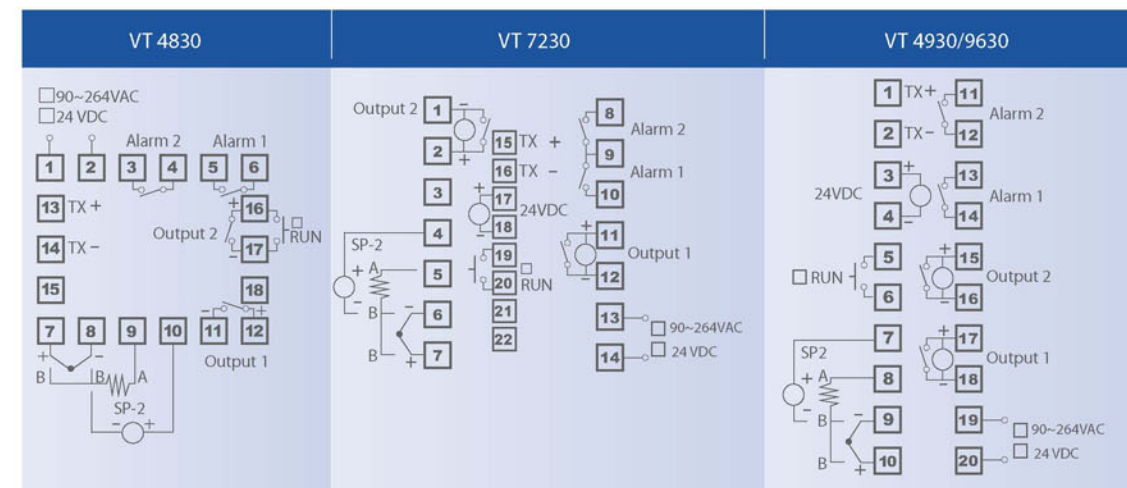
PANEL CUTOUT :

Model	A	B	C	D	E	a	b	c	d
VT-4830	48	48	6	100	45	45 ^{+0.5}	45 ^{+0.5}	60	48
VT-4930	48	96	9	80	91	45 ^{+0.5}	92 ^{+0.5}	120	48
VT-7230	72	72	9	80	67	68 ^{+0.5}	68 ^{+0.5}	90	72
VT-9630	96	96	10	80	91	92 ^{+0.5}	92 ^{+0.5}	120	96

(Unit: mm)



Wiring Diagram



Specifications	
Input	Thermocouple: J, K, T, E, B, R, S, N, C RTD: DIN PT-100; JIS PT-100 Linear: 4~20mA; 0~50mV; 1~5V; 0~10V...
Accuracy	T/C±1 °C; RTD±0.2 °C; Linear±3 μV
Sampling Time	0.25 sec.
Control	Proportional Band: 0.0~300.0% F.S
	Integral Time: 0~3600 sec.
	Derivative Time : 0~900 sec.
	Hysteresis: 0.0~200.0 or 0~2000
Output Cycle Time	Cycle Time: 0~100 sec.
	Relay 15 sec.
	Pulsed Voltage to Drive SSR: 1sec.
Output	Continuous Current (Voltage): 0 sec.
	Relay Contact Output: 10A/ 240 VAC (Resistive load)
	Pulsed Voltage Output to Drive SSR: DC 0/24V (Resistive 250 Ω min.)
Output	Current Output: 4~20mA (Resistive 600 Ω max.)
	Continuous Voltage Output: 0~50mV; 1~5V; 0~10V..... (Resistive 600 Ω min.)
General	Rated Voltage: AC 90~264V 50 / 60Hz; DC 24V
	Ambient Temperature: 0~50 °C
	Ambient Humidity: 0~90 %
	Consumption: Less than 5VA

Input		
Type	Temperature	Range
J	-50 °C ~ 1000 °C	-58 °F ~ 1832 °F
K	-50 °C ~ 1370 °C	-58 °F ~ 2498 °F
T	-270 °C ~ 400 °C	-454 °F ~ 752 °F
E	-50 °C ~ 750 °C	-58 °F ~ 1382 °F
B	0 °C ~ 1800 °C	32 °F ~ 3272 °F
R	0 °C ~ 1750 °C	32 °F ~ 3182 °F
S	0 °C ~ 1750 °C	32 °F ~ 3182 °F
N	-50 °C ~ 1300 °C	-58 °F ~ 2372 °F
C	-50 °C ~ 1800 °C	-58 °F ~ 3272 °F
DPT	-200 °C ~ 850 °C	-328 °F ~ 1652 °F
JPT	-200 °C ~ 650 °C	-328 °F ~ 1202 °F
LINE	-1999 ~ 9999	
Alarm Functions		
Process High Alarm	Process Low Alarm	
Deviation High Alarm	Deviation Low Alarm	
Band High Alarm	Band Low Alarm	
PV High Alarm with Delay Time	PV Low Alarm with Delay Time	
Time Signal Alarm		

Ordering Information

Size		Input		Output 1		Output 2		Option		Power Supply	
Code	Code	Code	Code	Code	Code	Code	Code	Code	Code	Code	Code
48mmx48mm	48	T/C	T	Relay	R	None	N	None	N	AC 90~264V	A
48mmx96mm	49	RTD	D	SSR	P	4~20mA retransmission	R	RS-485	C	50/60 Hz	
72mmx72mm	72	Linear	L	0~10V	V	0~10V retransmission	V	4~20mA retransmission	R	DC 24V	D
96mmx96mm	96			Other	O	Other	O	Remote Set	P		
								Setpoint (SP-2)			
								Master	M		
								Slaver	S		

Note 1: If input code "L" is selected, please specify the input Signal and scale, for example: 4~20mA, 0.0~100.0

Note 2: If output code "O" is selected, please specify the output Signal, for example: 1~5V