



SignalCon®

ISD 2 Independent Channels Isolated Universal Signal Converter/Conditioner/Isolator

Features

- Two independent input channels for various input signals and measuring range
- Configurable without Power Connected.
- Full 3-way isolation for 1500 Vrms.
- DIN rail mount.
- Dual channel Input:
Resistance thermometer (Pt100)
Thermocouple (J,K,T,E,B,R,S,N,C)
Voltage/Current transmitter (mV/V/mA)
- Dual 0/4 to 20 mA or 0~10V analogue output (ISD-D).
- RS485 communication interface with Modbus RTU protocol (ISD-C).
- Fault signal on sensor break presettable.



Configuration

The SignalCon® DIN Rail converter is user configurable with the Signalwin® software and interface cable URC-1020 or handheld programmer. The Signalwin® is user-friendly software. The latest release version can be download free from website. Interface cable consist of interface converter and USB plug. It can be purchased separately from the SignalCon® supplier. During configuration the converter can work alone without connecting to a power source.

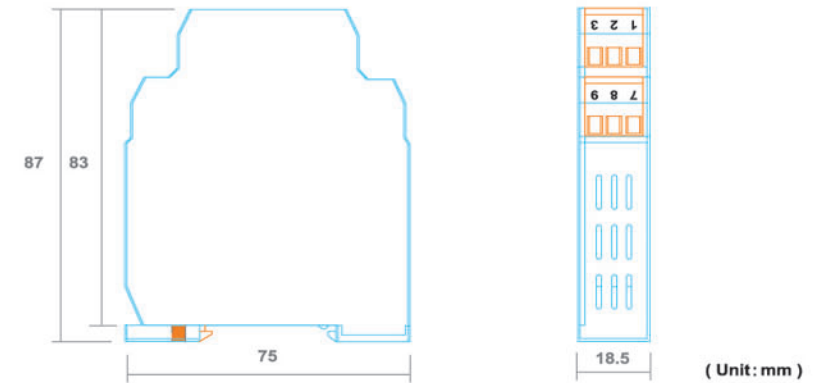
Table 1 Input Signal

Specification		Input signal	Maximum Range	Accuracy
Input	Thermocouple (T/C) : industry standard thermocouple types J, K, T, E, B, R, S, N, C (ITS-90).	Thermocouple J	-50 to 1000 °C (-58 to 1832 °F)	±1 °C
	Pt100: Excitation 180uA. 2 or 3 wire connection (ITS-90 $\alpha=0.00385$).	Thermocouple K	-50 to 1370 °C (-58 to 2498 °F)	±1 °C
	Voltage: -60mVdc to 60mVdc or -10Vdc to 10Vdc. Current: 0-24mAadc	Thermocouple T	-270 to 400 °C (-454 to 752 °F)	±1 °C
	Refer to Table 1 Input Signal	Thermocouple E	-50 to 700 °C (-58 to 1292 °F)	±1 °C
Accuracy	Refer to Table 1 Input Signal	Thermocouple B	0 to 1750 °C (32 to 3182 °F)	±2 °C(Note 1)
A/D Resolution	16 bits	Thermocouple R	-50 to 1750 °C (-58 to 3182 °F)	±2 °C
Input Sampling Rate	<200ms	Thermocouple S	-50 to 1750 °C (-58 to 3182 °F)	±2 °C
Power Supply	DC 24V	Thermocouple N	-50 to 1300 °C (-58 to 2372 °F)	±2 °C
Output	Current Output:0/4~20mA(Resistive load 600Ω max.) Continuous Voltage Output:0~50mV; 0~10V... (Resistive load 600Ω min.)	Thermocouple C	-50 to 1800 °C (-58 to 3272 °F)	±2 °C
	Output Resolution	Pt100	-200 to 600 °C (-328 to 1112 °F)	±0.2 °C
	Output Response Time	mV	-60mVto 60mV	±0.01mV
	Common Mode	Voltage (Note 2)	-10 to 10Vdc	±1mV
Rejection Ratio(CMRR)	>80dB	Current (Note 2)	0 to 24mAadc	±10 μ A
Electromagnetic Compatibility (EMC)	En 50081-2, En 50082-2			
Galvanic Isolation	3.75 KV. between input and output			
Operating Temperature	-40 to 85 ° C			
Humidity	0 to 90% RH			
Dimension	75mm(W)x87mm(H)x18.5mm(D)			

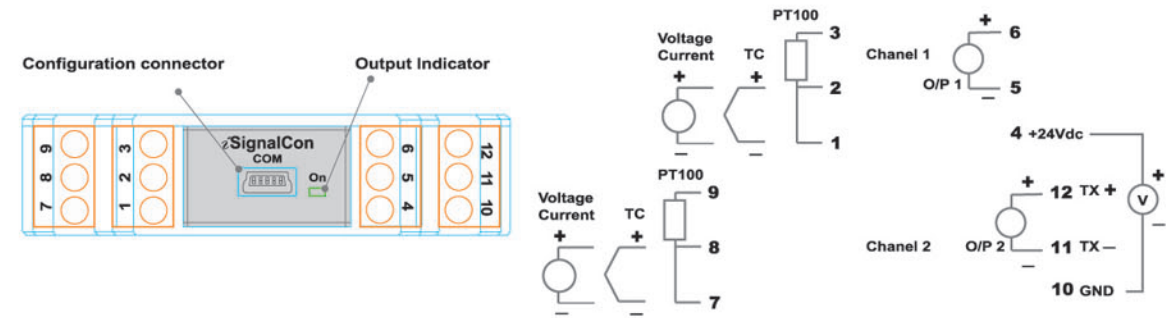
Note 1 : Accuracy is not guaranteed between 0 and 400 °C (0 and 752 °F) for type B.

Note 2 : The internal DIP switch should be set.

Dimension



Electrical Connection



Ordering Information

Output 1		Output 2	
Code	Code	Code	Code
M	M	M	M
V	V	V	V
		C	C

The unit will come standard with PT100, -200~600°C, you can change the input Type/Rang using the free software "Signalwin®" with the configuration cable URC-1020, or you can contact us for non-standard Input/Rang setting.